



Vibrating Screen

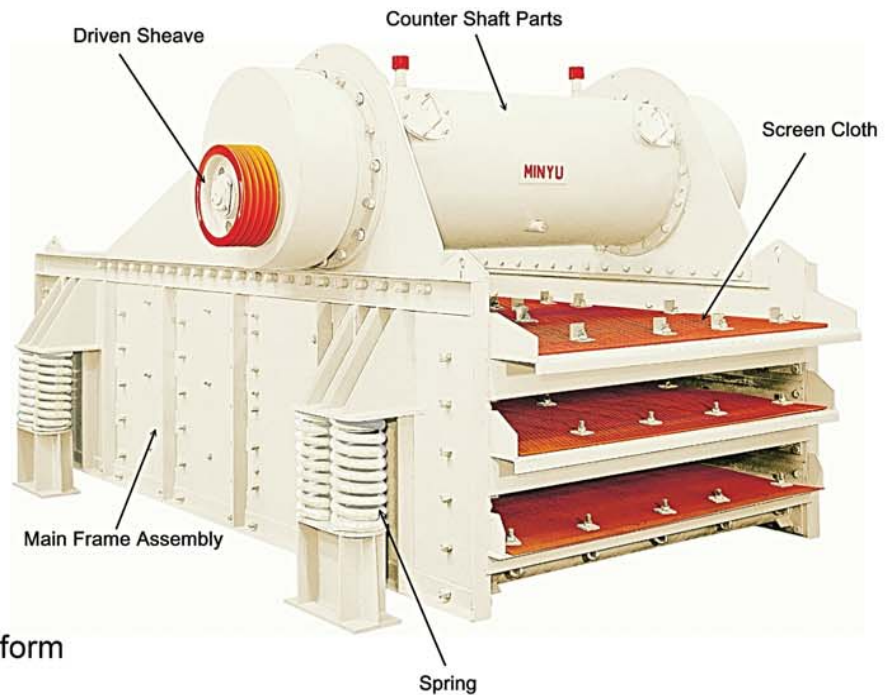


- ▷ Horizontal Series
- ▷ Inclined Series

Feature

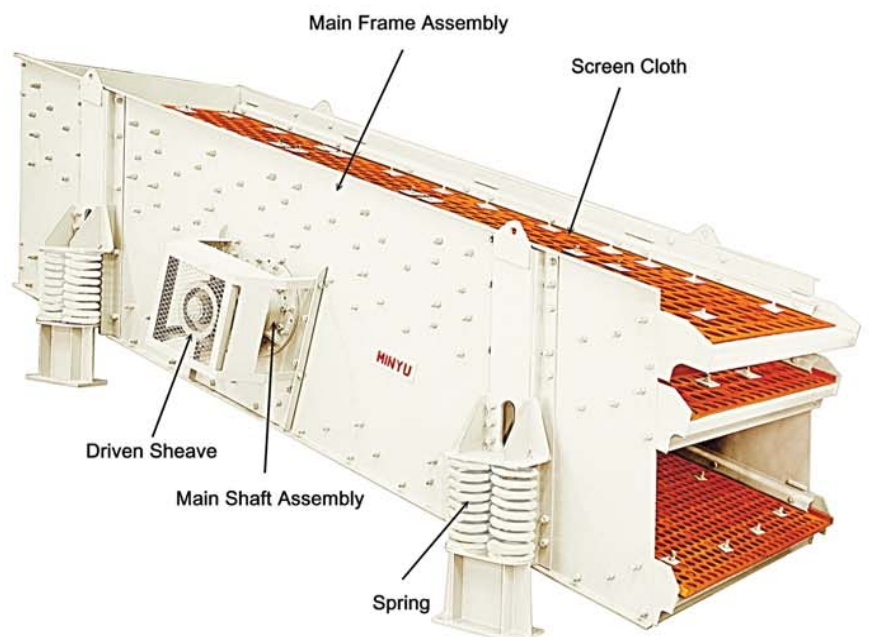
Horizontal Vibrating Screens

1. Horizontal screen, with two unbalanced eccentric shafts generating strong horizontal vibration.
2. Handles efficiently a large amount of materials, avoids clogging, suitable for classifying small granules.
3. Due to advanced design and engineering technology, a strong centrifugal force is created, which can stabilize the movement of the in-feed.
4. Compared to the same model of other brands, Minyu MLH screens have a large processing capacity.
5. Suitable for stone washing, due to highly efficient screening, clean and uniform grain size can be screened out.
6. Suitable for aggregates used for reinforced concrete.

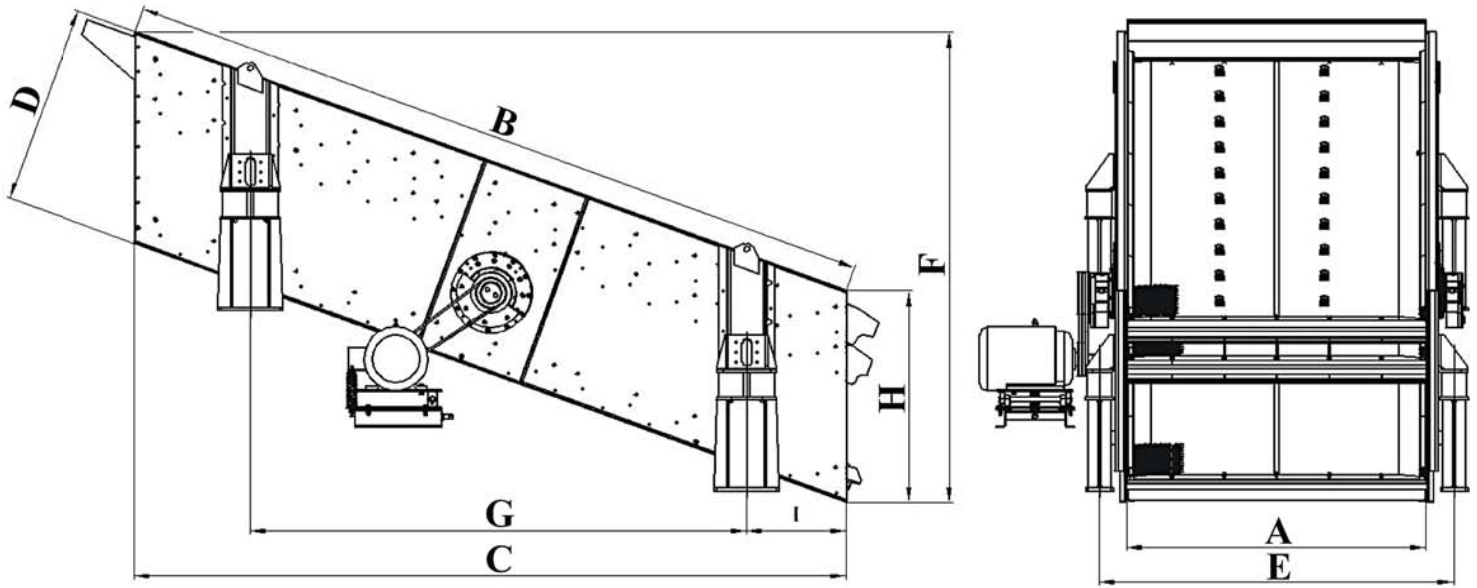


Inclined Vibrating Screens

1. Rugged construction, designed with 15-20 degrees inclination angle.
2. Simple design especially suitable in screening applications for coarse stones and ores.
3. The eccentric shaft with counterweight configuration produces regular vibrations. Users can adjust the eccentric counterweight to meet their needs.
4. Thanks to the 15-20 degrees inclination angle plus gravity effect, these screens need less drive power, however they can produce a powerful screening effect, compared to horizontal models.



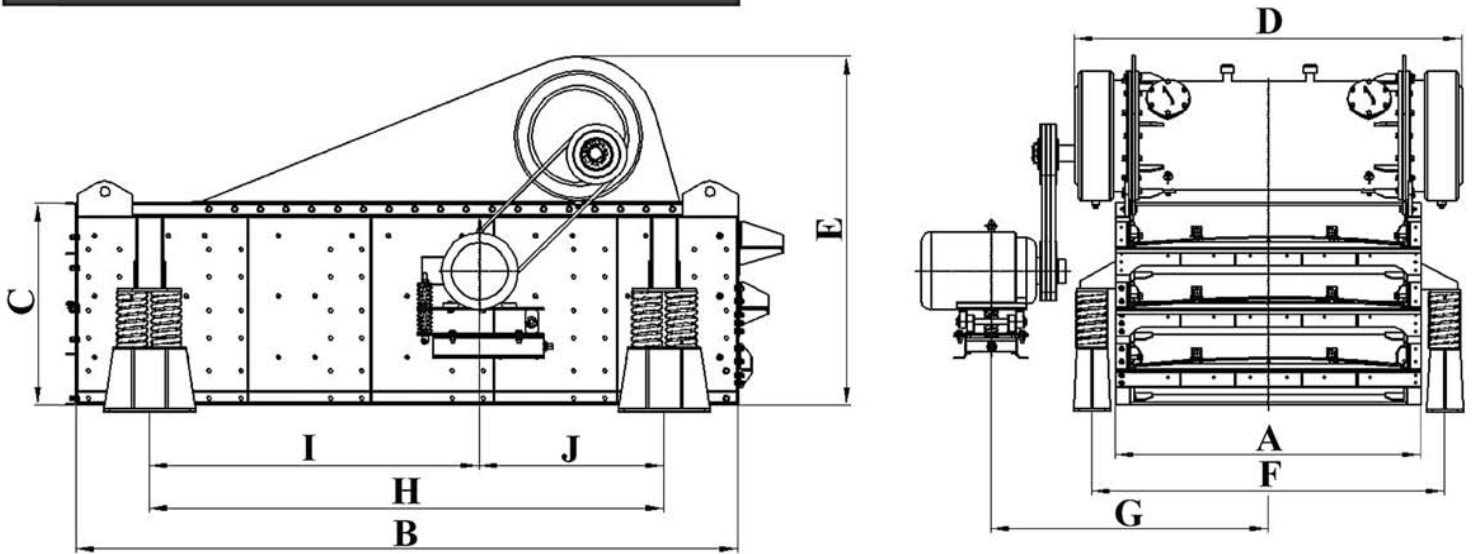
General Dimension -Inclined Vibrating Screens



Model No.	Screen Size [mm]	Deck	Dimensions [mm]									Motor Rating [kW]	Weight [KG]
			A	B	C	D	E	F	G	H	I		
MOP1230D	1200 x 3000	2	1200	3000	2898	1135	1604	1960	1739	1175	485	7.5	2900
MOP1230T		3	1200	3000	2898	1435	1604	2266	1740	1486	483	11	3600
MOP1230F		4	1200	3000	2898	1735	1594	2663	1903	1796	485	11	4250
MOP1236D	1200 x 3600	2	1200	3600	3477	1135	1600	2198	2330	1175	483	7.5	3100
MOP1236T		3	1200	3600	3468	1435	1604	2508	2330	1479	483	11	4000
MOP1236F		4	1200	3600	3480	1735	1600	2730	2318	1796	485	11	5000
MOP1536D	1500 x 3600	2	1500	3600	3477	1135	1900	2228	2318	1175	488	11	4000
MOP1536T		3	1500	3600	3477	1435	1934	2550	2318	1486	486	15	5300
MOP1536F		4	1500	3600	3477	1735	1936	2866	2318	1790	482	18.5	6300
MOP1542D	1500 x 4200	2	1500	4200	4057	1135	1900	2382	2729	1175	656	15	3950
MOP1542T		3	1500	4200	4057	1435	1934	2706	2730	1480	656	15	5150
MOP1542F		4	1500	4200	4057	1735	1938	2883	2898	1788	486	18.5	6400
MOP1848D	1800 x 4800	2	1800	4800	4693	1735	2240	2538	3130	1796	731	15	5300
MOP1848T		3	1800	4800	4693	1435	2242	2822	3130	1486	732	18.5	6950
MOP1848F		4	1800	4800	4693	1735	2242	3133	3130	1796	737	30	8400
MOP2148D	2100 x 4800	2	2100	4800	4692	1300	2540	2610	3130	1346	732	18.5	5350
MOP2148T		3	2100	4800	4565	1435	2542	2315	3045	1527	700	18.5	7350
MOP2148F		4	2100	4800	4565	1805	2542	3707	3045	1921	700	22	9350
MOP2160D	2100 x 6000	2	2100	6000	5689	1243	2542	3537	3759	1323	1015	22	6693
MOP2160T		3	2100	6000	5689	1600	2542	3908	3978	1703	1015	30	8963
MOP2160F		4	2100	6000	5700	1805	2542	4127	3978	1921	801	37	10650
MOP2460D	2400 x 6000	2	2400	6000	5689	1243	2842	3394	3759	1323	1015	22	6850
MOP2460T		3	2400	6000	5689	1600	2842	3875	3978	1703	1015	37	9500
MOP2466D	2400 x 6600	2	2400	6600	6258	1293	2842	3789	4293	1376	1014	37	8100

All parameters are for reference only and subject to change without notice.

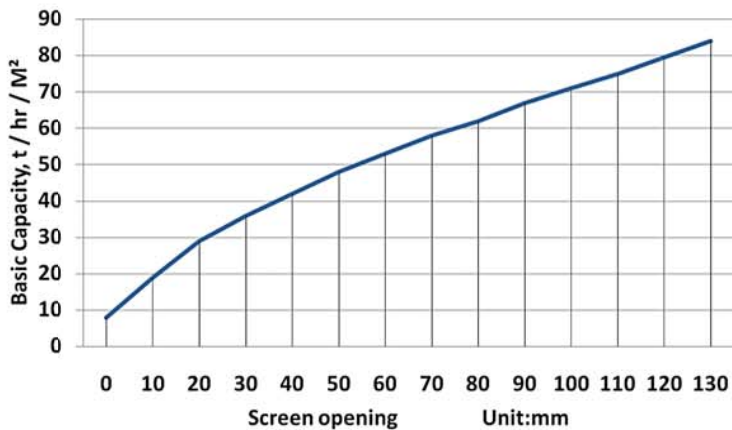
General Dimension -Horizontal Vibrating Screens



Model No.	Screen Size [mm]	Deck	Dimensions [mm]										Motor Rating [kW]	Weight [KG]
			A	B	C	D	E	F	G	H	I	J		
MLH924D	900x2400	2	900	2400	720	1315	1380	1240	1011	1906	893	1013	5.5	1620
MLH1230D	1200x3000	2	1200	3000	750	1689	1547	1632	1291	2400	1279	1121	11	2550
MLH1230T	1200x3000	3	1200	3000	1000	1689	1808	1632	1282	2400	1438	962	11	2950
MLH1536D	1500x3600	2	1500	3600	750	2016	1630	1920	1375	2392	1539	856	15	3400
MLH1536T	1500x3600	3	1500	3600	1100	2016	1990	1920	1510	2800	1795	1005	18.5	4650
MLH1848D	1800x4800	2	1800	4800	1000	2546	2117	2306	1794	3350	1937	1413	30	6900
MLH1848XT	1800x4800	3	1800	4800	1540	2546	2647	2315	1792	2900	1021	1879	37	8050
MLH2160XD	2100x6000	2	2100	6000	1240	2852	2347	2606	1929	3710	2291	1409	37	8900
MLH2160XT	2100x6000	3	2100	6000	1540	2852	2681	2606	1970	3600	1538	2062	45	11500
MLH2460XD	2400x6000	2	2400	6000	1400	3250	2632	2906	2192	3600	1535	2066	45	10550
MLH2460XT	2400x6000	3	2400	6000	1800	3250	2985	2906	2192	3600	1524	2076	55	12400

All parameters are for reference only and subject to change without notice.

General Gradation Curves



Minyu Machinery Corp.,Ltd.

Telephone: +886-2-8751-2022

Fax: +886-2-8751-2051

E-Mail: office@minyu.com

Address: 4F., No.431, Ruiguang Rd., Neihu Dist., Taipei City 11492, Taiwan.

WWW.MINYU.COM